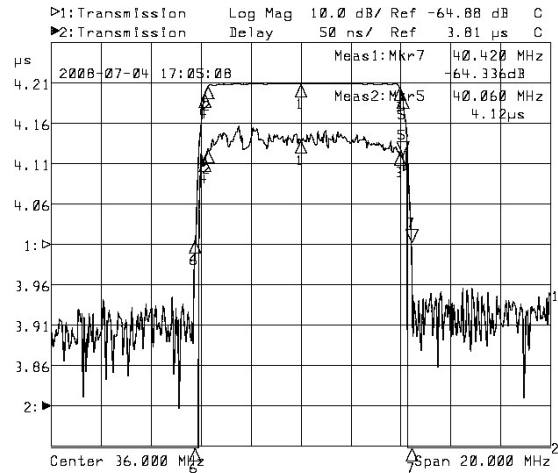
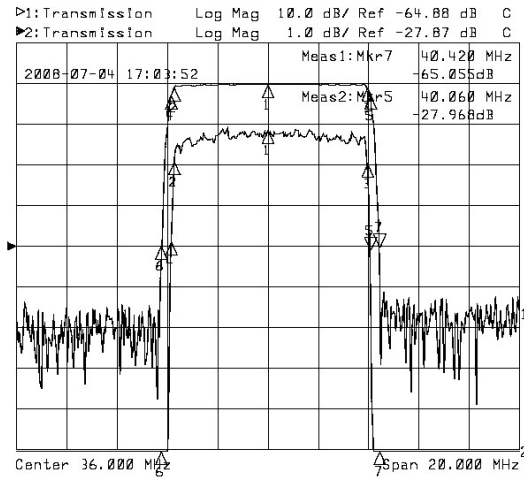


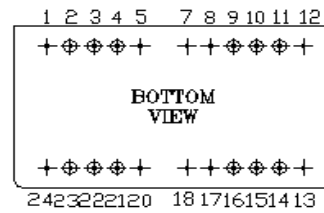
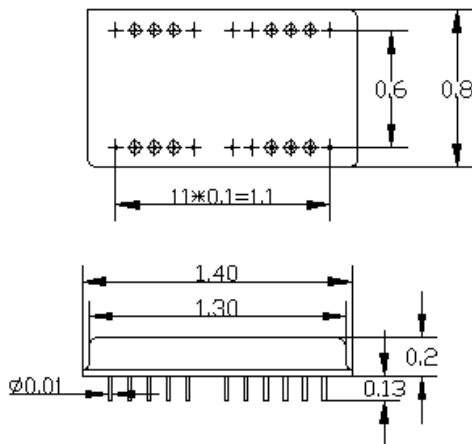
1. Specifications

Parameter	Unit	Minimum	Typical	Maximum
Center Frequency	MHz	35.85	36.00	36.15
Insertion Loss at F0	dB		25.00	26.00
1 dB Bandwidth	dB	7.60	7.75	
3 dB Bandwidth	dB	7.85	7.95	
40dB Bandwidth	dB		8.50	8.60
Passband Variation	dB		0.50	0.80
Group Delay Variation	nsec		30	50
Absolute Delay	usec		4.14	
Ultimate Rejection	dB	50	52	
Substrate Material	-		128-LiNbO3	
Ambient Temperature	°C		25	

2. Typical Performance



3. Package



- 2 INPUT-GROUND
- 3 INPUT
- 14 OUTPUT-GROUND
- 15 OUTPUT
- 4,9,10,11,16,21,22,23 NOT CONNECTED
- 1,5,7,8,12,13,17,18,20,24 CHIP
- CARRIER-GROUND

NO Matching Required
 Source/load Impedance=50ohm
 Package Style XR

4. Marking

S036M079